



# SV33 ■ Double LCD Ceiling Mount 19"-26"

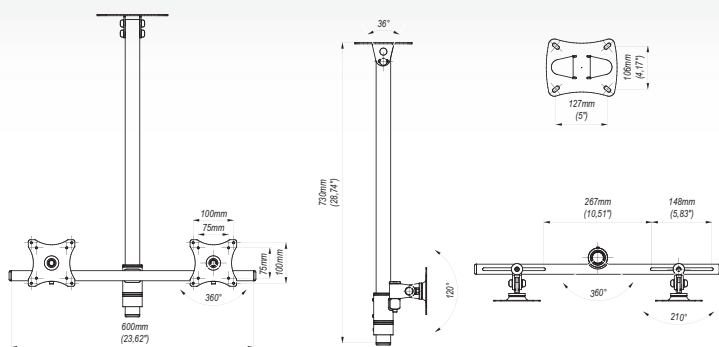


## Features

- 1 **SOLID BUILD**  
3 mm thick powder-coated metal sheet
- 2 **ADJUSTABLE POSITION FOR 2 SCREEN**  
vertical and horizontal with 360° rotation
- 3 **QUICK INSTALLATION**  
easy installation of the product



## Technical Data



75x75 mm 100x100 mm	19"-26"	20 Kg	min. 75x75 mm max. 100x100 mm
730 mm	120°	210°	
360°			

## Trade Information

Index	Colour	Package	EAN
SV33c-B	■	■	5908252961016
SV33s-B	■	■	5908252961023

Package Dimensions [mm] (H x W x D)	820x190x120
Weight [Kg]	4,40

## Accessories

Series GDA

